

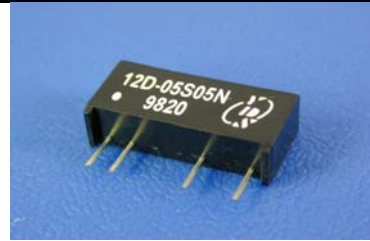


12D SERIES

3000VDC SINGLE AND DUAL OUTPDC 1 WATT DC-DC CONVERTER

FEATURES

- 7 PIN SIP PACKAGE.
- 3000VDC ISOLATION.
- UNREGULATED OUTPUT TYPES.
- UL 94V-0 PACKAGE MATERIAL.



GENERAL SPECIFICATIONS

- OUTPUT RIPPPL(20MHz Band limited) : 150mVp-p MAX
- ISOLATION RESISTANCE :1000MΩ MIN @500VDC
- SWITHINGFREQUENCY :100KHz TYP.
- OPERATING TEMPERATURE :0 °C TO 70°C
- EFFICIENCY :70% TYP
- ISOLATION VOLTAGE :3000 VDC

ELECTRICAL SPECIFICATIONS

- INPUT VOLTAGE RANGE :±5%
- OUTPUT VOLTAGE TOLERANCE :±5%
- LINE REGULATION(10% TO 100% F.L.) :1.2%/1% OF Vin
- LOAD REGULATION(10% TO 100% F.L.) :15% MAX
- 5V OUTPUT TYPES :10% MAX
- 9V,12V AND 15V OUTPUT TYPES :10% MAX

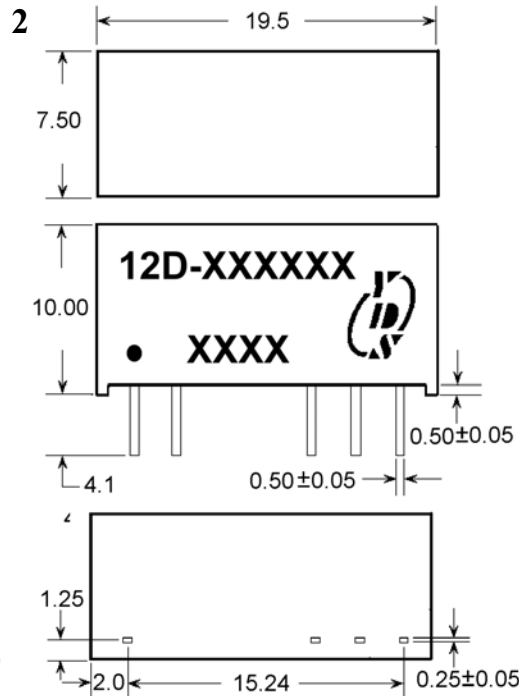
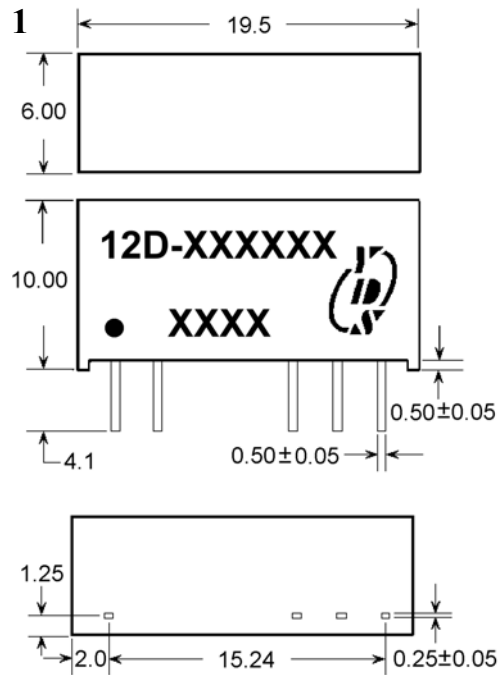
5V,12V AND 24V INPUT TYPES

PART NUMBER	OUTPUT VOLTAGE (VDC)	OUTPUT CURRENT (mA)	EFFICIENCY (% TYP.)	PACKAGE STYLE
12D-XXS05N	5	200	70	1
12D-XXS09N	9	112	75	1
12D-XXS12N	12	84	75	1
12D-XXS15N	15	67	75	1
12D-XXD05N	±5	±100	70	1
12D-XXD09N	±9	±56	75	1
12D-XXD12N	±12	±42	75	1
12D-XXD15N	±15	±34	75	1

48V INPUT TYPES

PART NUMBER	OUTPUT VOLTAGE (VDC)	OUTPUT CURRENT (mA)	EFFICIENCY (% TYP.)	PACKAGE STYLE
12D-XXS05N2	5	200	70	2
12D-XXS09N2	9	112	75	2
12D-XXS12N2	12	84	75	2
12D-XXS15N2	15	67	75	2
12D-XXD05N2	±5	±100	70	2
12D-XXD09N2	±9	±56	75	2
12D-XXD12N2	±12	±42	75	2
12D-XXD15N2	±15	±34	75	2

MARKINGS AND DIMENSIONS



PIN CONNECTION

PIN	SINGLE	DUAL
1	+INPUT	+INPUT
2	-INPUT	-INPUT
5	-OUTPUT	-OUTPUT
6	NO PIN	COMMON
7	+OUTPUT	+OUTPUT

Dimensions:inches/mm
Unless otherwise specified,
all tolerances are
±.005/±0.13