

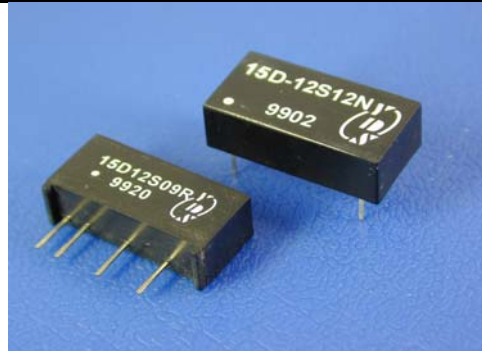


15D SERIES

1000VDC REGULATED SINGLE OUTPUT 1WATT DC-DC CONVERTER

FEATURES

- 7 PIN SIP PACKAGE.
- 1000VDC ISOLATION.
- OUTPUT REGULATION < 1.5%.
- UL 94V-0 PACKAGE MATERIAL.



GENERAL SPECIFICATIONS

- OUTPUT RIPPLE (20MHz Band limited) : 60mVp-p MAX
- ISOLATION RESISTANCE :100MΩ MIN @500VDC
- SWITCHING FREQUENCY :80KHz TYP.
- OPERATING TEMPERATURE :0 °C TO 70°C
- EFFICIENCY(5V) :50% TYP,45%MIN
- EFFICIENCY(9V,12V,15V) :62% TYP,55%MIN
- ISOLATION VOLTAGE :1000 VDC

ELECTRICAL SPECIFICATIONS

- INPUT VOLTAGE RANGE :±5%
- OUTPUT VOLTAGE TOLERANCE :±5%
- LINE REGULATION(10% TO 100% F.L.) :0.25%/1% OF Vin
- LOAD REGULATION(10% TO 100% F.L.) :0.9%TYP. 1.5%MAX

5v and 12v input types

24V and 48V input types

PART NUMBER	OUTPUT VOLTAGE (VDC)	OUTPUT CURRENT (mA)	EFFICIENCY (% TYP.)	PACKAGE STYLE	PART NUMBER	OUTPUT VOLTAGE (VDC)	OUTPUT CURRENT (mA)	EFFICIENCY (% TYP.)	PACKAGE STYLE
15D-XXS05R	5	100	45	1	15D-XXS05R2	5	100	45	2
15D-XXS09R	9	100	55	1	15D-XXS09R2	9	100	55	2
15D-XXS12R	12	83	55	1	15D-XXS12R2	12	83	55	2
15D-XXS15R	15	67	55	1	15D-XXS15R2	15	67	55	2
15D-XXS05R3	5	100	45	3	15D-XXS05R4	5	100	45	4
15D-XXS09R3	9	100	55	3	15D-XXS09R4	9	100	55	4
15D-XXS12R3	12	83	55	3	15D-XXS12R4	12	83	55	4
15D-XXS15R3	15	67	55	3	15D-XXS15R4	15	67	55	4

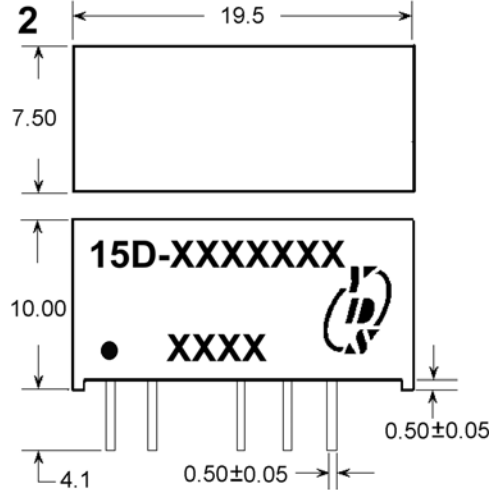
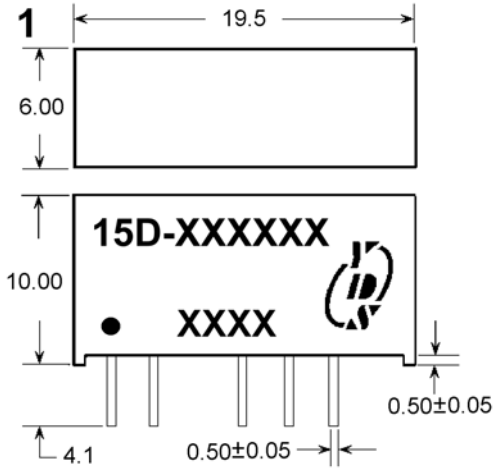


15D SERIES

1000VDC REGULATED SINGLE OUTPUT
1WATT DC-DC CONVERTER

MARKINGS AND DIMENSIONS

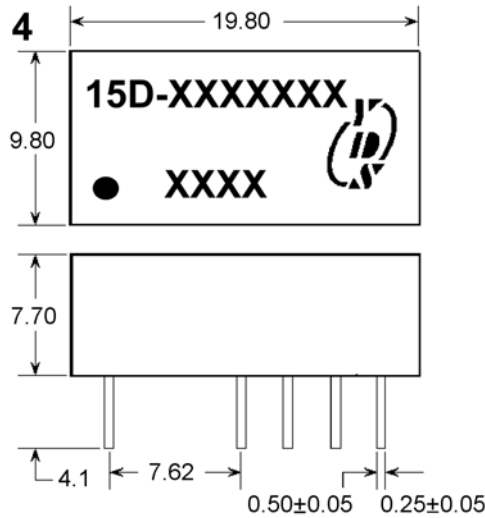
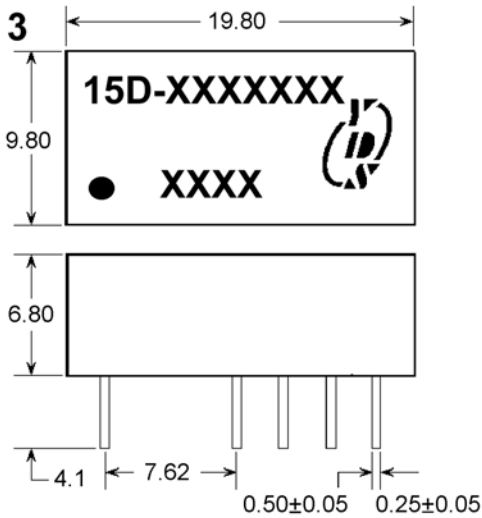
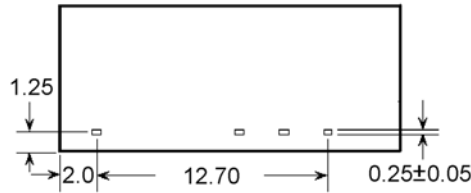
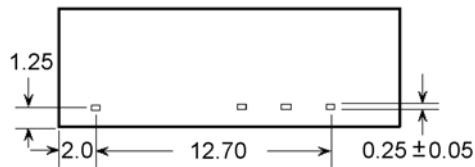
PIN CONNECTION



PIN	7 PIN
1	+INPUT
2	-INPUT
4	-OUTPUT
5	CTRL
6	+VOUTPUT

Dimensions: inches/mm
Unless otherwise specified,
all tolerances are

±.005/±0.13



PIN	14 PIN
1	-INPUT
9	+OUTPUT
10	CTRL
11	-OUTPUT
14	+INPUT

Dimensions: inches/mm
Unless otherwise specified,
all tolerances are

±.005/±0.13