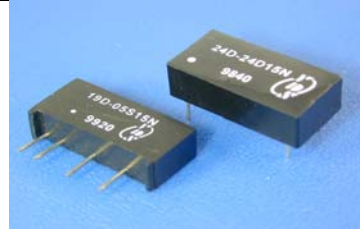


# TSS 19D/24D SERIES 1000VDC DUAL OUTPUT 2WATT DC-DC CONVERTER

## FEATURES

- 7 PIN SIP AND 14 PIN DIL PACKAGE.
- 1000VDC ISOLATION.
- UL 94V-0 PACKAGE MATERIAL.



## GENERAL SPECIFICATIONS

- OUTPUT RIPPPLLE & NOISE :150mVp-p(20MHz B.W.)
- ISOLATION RESISTANCE :1000MΩ MIN @500VDC
- SWITCHINGFREQUENCY :75KHz TYP.
- OPERATING TEMPERATURE :0 °C TO 70°C
- SHORT CIRCUIT PROTECTION :SHORT TERM
- ISOLATION VOLTAGE :1000 VDC

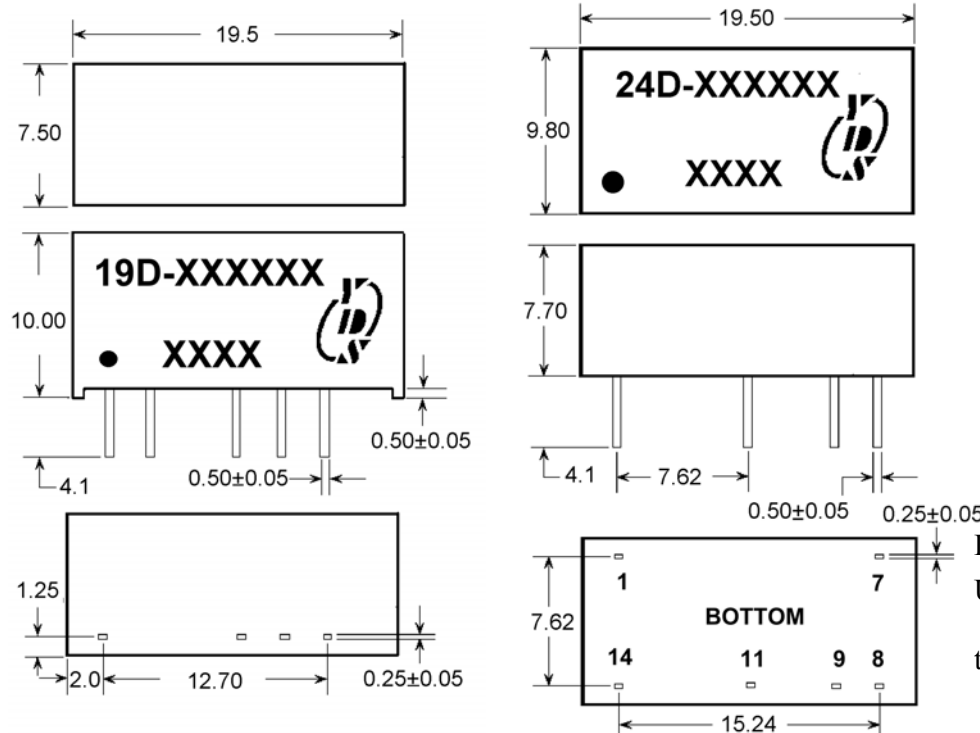
## ELECTRICAL SPECIFICATIONS

- INPUT VOLTAGE RANGE :±10%
- OUTPUT VOLTAGE TOLERANCE :±5%
- LINE REGULATION(10% TO 100% F.L.) :±1.2% OF Vin
- LOAD REGULATION(10% TO 100% F.L.) :±15% MAX  
5V OUTPUT TYPES :15% MAX  
9V,12V AND 15V OUTPUT TYPES :10% MAX

### 5v,12v,24v input types

| PART NUMBER | OUTPUT VOLTAGE (VDC) | OUTPUT CURRENT (mA) | EFFICIENCY (% TYP.) | PACKAGE STYLE |
|-------------|----------------------|---------------------|---------------------|---------------|
| 19D-XXD05N  | ±5                   | ±200                | 65                  | 1             |
| 19D-XXD09N  | ±9                   | ±111                | 70                  | 1             |
| 19D-XXD12N  | ±12                  | ±83                 | 70                  | 1             |
| 19D-XXD15N  | ±15                  | ±67                 | 70                  | 1             |
| 24D-XXD05N  | ±5                   | ±200                | 65                  | 2             |
| 24D-XXD09N  | ±9                   | ±111                | 70                  | 2             |
| 24D-XXD12N  | ±12                  | ±83                 | 70                  | 2             |
| 24D-XXD15N  | ±15                  | ±67                 | 70                  | 2             |

## MARKINGS AND DIMENSIONS



## PIN CONNECTION

| PIN | 7PIN SIP |    | 14PIN DIL |
|-----|----------|----|-----------|
| 1   | +INPUT   | 1  | -INOUT    |
| 2   | -INPUT   | 7  | NC        |
| 4   | -OUTPUT  | 8  | COMMON    |
| 5   | COMMON   | 9  | +OUTPUT   |
| 6   | +OUTPUT  | 11 | -OUTPUT   |
|     |          | 14 | +INPUT    |

Dimensions: inches/mm  
Unless otherwise specified, all tolerances are ±.005/±0.13